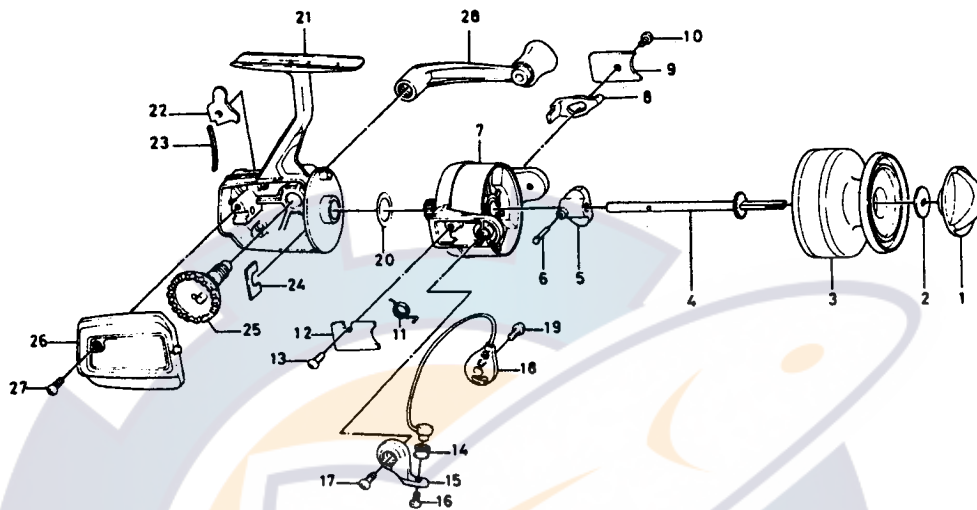




SPINNING REEL J-17FT/J12S



| Key No. | Parts No. | Parts Name | Key No. | Parts No. | Parts Name |
|---------|-----------|-----------------------------|---------|-----------|--------------------------|
| 1 | 441-3501 | Drag knob | 15 | .868-9701 | Bail arm |
| 2 | 374-7901 | Drag washer | 16 | .867-9301 | Bail arm screw |
| 3 | 857-7202 | Spool | 17 | .351-6102 | Bail arm screw |
| 4 | B79-2401 | Main shaft | 18 | .879-2101 | Bail |
| 5 | 480-5101 | Oscillating slider | 19 | .351-6102 | Bail trip cam screw |
| 6 | 490-4411 | Oscillating slider pin | 20 | 370-9800 | Rotor washer |
| 7 | .879-1701 | Rotor | 21 | B79-1501 | Body |
| 8 | .879-2002 | Bail trip lever | 22 | 111-6101 | Anti-reverse pawl |
| 9 | .868-1303 | Bail trip lever cover | 23 | 150-6201 | Anti-reverse pawl spring |
| 10 | 352-0402 | Bail trip lever cover screw | 24 | 632-4011 | Pinion retainer |
| 11 | B18-7701 | Bail spring | 25 | B79-1601 | Drive gear |
| 12 | B68-1202 | Bail spring cover | * 26 | | Side cover |
| 13 | 352-0402 | Bail spring cover screw | 27 | 351-1103 | Side cover screw |
| 14 | 250-3921 | Line roller | 28 | 745-7501 | Handle |

*Order by model and part name due to color change.